



Air Curtains Australia Pty Ltd

Factory 1 / 147 Greens Road,

Dandenong South, Victoria, Australia 3175.

Phone: 03 9794 8182 Fax: 03 9793 5707

USER MANUAL

ELECTRIC HEATED

SPARTAN AIR CURTAIN

Model: RM-12XXT6G-3D/Y SERIES



PLEASE READ THROUGH THESE INSTRUCTIONS CAREFULLY.

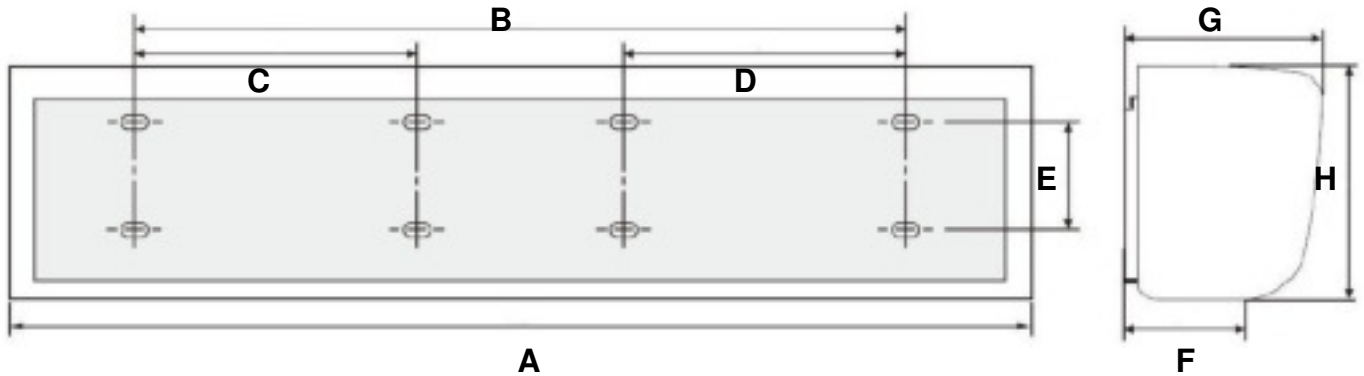
WARRANTY – 12 MONTHS PARTS ONLY

We recommend testing the unit before installation for any damage during shipment.



1. INSTALLATION DIMENSIONS

UNIT: mm if not indicated



MODEL	A	B	C	D	E	F	G	H	N.W (KG)
RM-1209T6G-3D/Y	900	440	---	---	90	132	218	247	15.5
RM-1210T6G-3D/Y	1000		---	---					16.5
RM-1212T6G-3D/Y	1200		---	---					19.0
RM-1215T6G-3D/Y	1500		---	---					22.5
RM-1218T6G-3D/Y	1800	660	330	330	90	132	218	247	29.0
RM-1220T6G-3D/Y	2000								31.0

Note: The data are subject to change without notice due to product development.

2. TECHNICAL PARAMETER

Model No.	Rated voltage (V~Hz)	Rated current (A)	Motor input power H/L (W)	PTC ceramic heater power L/M/H (KW)	Air volume H/L (m ³ /h)	Air velocity H/L (m/s)	Noise level H/L (dB)
RM-1209T6G-3D/Y	400~50	3x12.1	260/200	2.5/5.5/8	1600/1300	11//9	61/59
RM-1210T6G-3D/Y		3x12.1	280/220	2.5/5.5/8	1770/1450		61/59
RM-1212T6G-3D/Y		3x15.2	380/330	3.5/7/10	2400/1950		62/60
RM-1215T6G-3D/Y		3x18.2	490/400	4/8/12	3150/2550		63/61
RM-1218T6G-3D/Y		3x24.2	520/400	5/10/16	3200/2600		64/62
RM-1220T6G-3D/Y		3x24.2	560/440	5/10/16	3540/2900		65/63

The specifications are subject to change without notice due to product development.



Air Curtains Australia Pty Ltd

Factory 1 / 147 Greens Road,

Dandenong South, Victoria, Australia 3175.

Phone: 03 9794 8182 Fax: 03 9793 5707

3. INSTALLATION PLANNING, INSTRUCTIONS & CAUTIONS

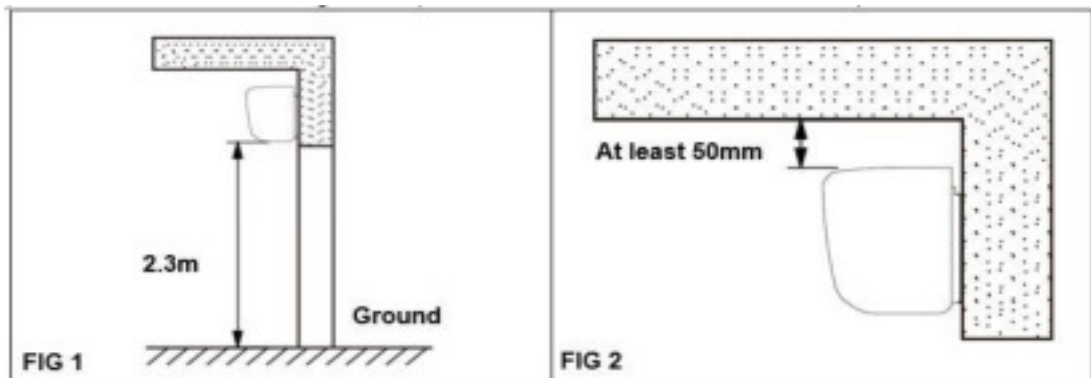


WARNING – TO REDUCE THE RISK OF FIRE, ELECTRIC SHOCK, OR INJURY TO PERSONS, READ THE FOLLOWING CAREFULLY before attempting to install, operate or maintain the unit.

Please read the following before installing the air curtain:

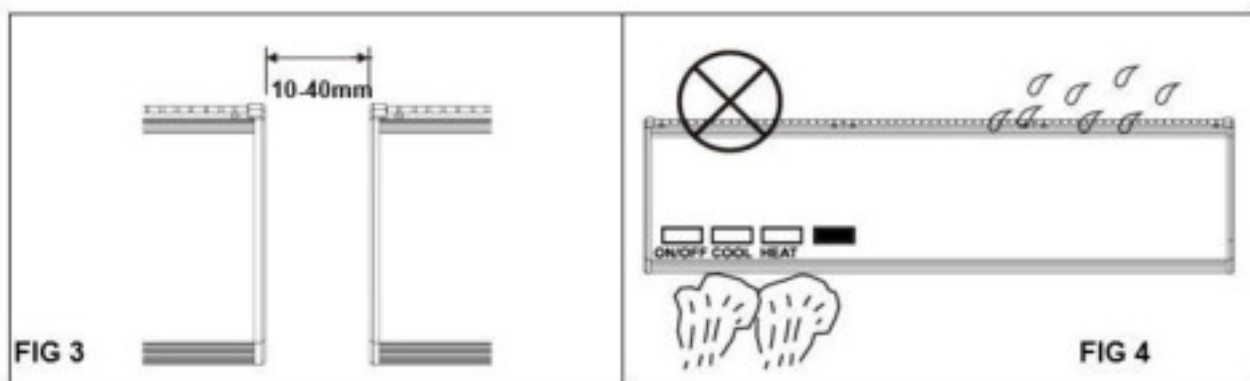
3.1 Please install it indoors, above the door. Don't install the unit too low, no less than 2.3 meters from the ground. See FIG 1 please.

3.2 The distance between the ceiling and the top of the air curtain shall be at least 50mm. See FIG 2 please.



3.3 When the entrance is wider than the unit, it is recommended to install two or more units in parallel. In this case, provide 10-40mm gaps between the units. See FIG 3 please.

3.4 Don't install the unit at a place where it is splashed by water, exposed to excessive steam, dust / explosive gas or corrosive gas. See FIG 4 please.



3.5 Hanging kit is not included. If you want to install the unit from ceiling, please buy suitable hanging kit.

3.6 Always disconnect, lock and tag power source before installing or servicing. Failure to disconnect power source can result in fire, shock or serious injury.

3.7 Please install the unit from a stationary and secure part of the building structure to avoid shaking and ensure its security (because the unit running may cause the wall to become loose or shake and make noise).

3.8 Verify and ensure the rated voltage and frequency of the air curtain follows the main power supply.

3.9 Do not cover the air inlet or air outlet of the unit when it is in operation.

3.10 Routine maintenance must be done every year.

3.11 Never use petrol, benzene, thinner or any other such chemical for cleaning the unit.

3.12 When connecting power cord to the power supply, please make sure the distance between contacts is 3mm at least.

3.13 Installation work and electrical wiring must be done by qualified person(s) in accordance with all applicable codes and standards, including fire-rated construction.

3.14 When cutting or drilling into wall or ceiling, do not damage electrical wiring and other hidden utilities.

3.15 To reduce the risk of fire or electric shock, do not use this fan with any solid-state speed control device.



3.16 Repair and maintenance operations can only be performed by qualified personnel.

3.17 This appliance is not intended for use by persons (including children) with reduced physical, sensory or mental capabilities, or lack of experience and knowledge, unless they have been given supervision or instruction concerning use of the appliance by a person responsible for their safety.

3.18 Children should be supervised to ensure that they do not play with the appliance.

4.1 Unscrew the fixing screws at the bottom of mounting plate to remove the mounting plate from the back of the main body. See FIG 5 please.

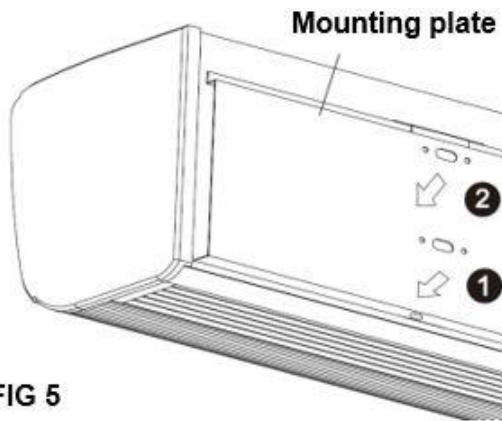
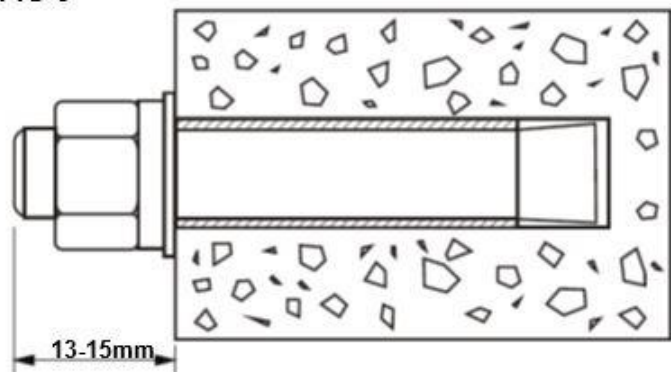


FIG 5

4.2 If installing it on concrete wall or brick wall and any other hard wall, please refer to the installation dimensions to determine the positions where fixing screws. Fix the M8 expansion bolts in the wall. Leave at least 13-15mm of the expansion bolt outside the wall. See FIG 6 please.

FIG 6



4.3 If installing it on wood plank wall or similar walls, please refer to the installation dimensions to determine the positions where fixing screws. Fix the mounting plate on wall with ST5 tapping screws. See FIG 7 please.

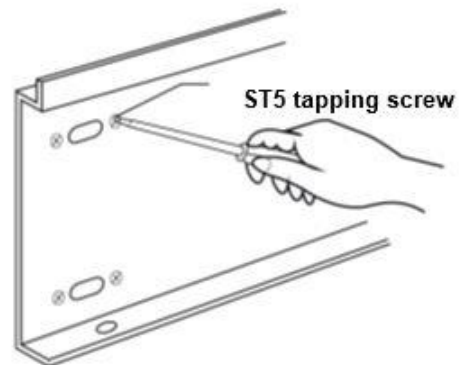


FIG 7



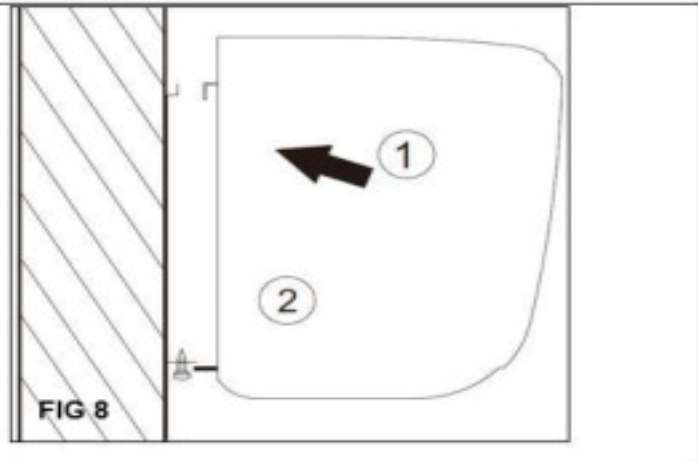
Air Curtains Australia Pty Ltd

Factory 1 / 147 Greens Road,

Dandenong South, Victoria, Australia 3175.

Phone: 03 9794 8182 Fax: 03 9793 5707

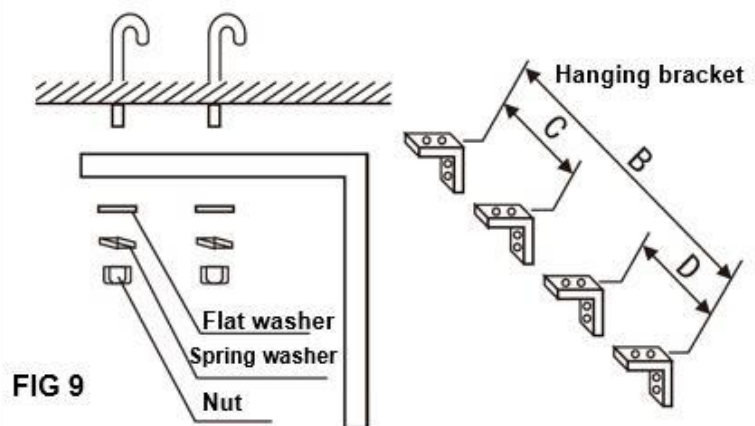
4.4 Mount the main body onto the upper end of the mounting plate, and then tighten the fixing screws back to the mounting plate. See FIG 8 please.



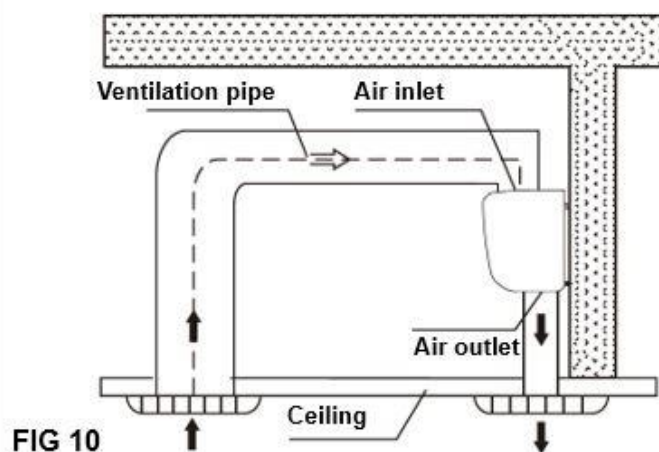
4.5 If installing it from ceiling, please fix the hanging bracket first. Afterwards, install the air curtain. See FIG 9 please.

Hanging kit is not included.

If any installation accessories are not provided, please buy them on yourself and make sure they are tough enough for the installation.



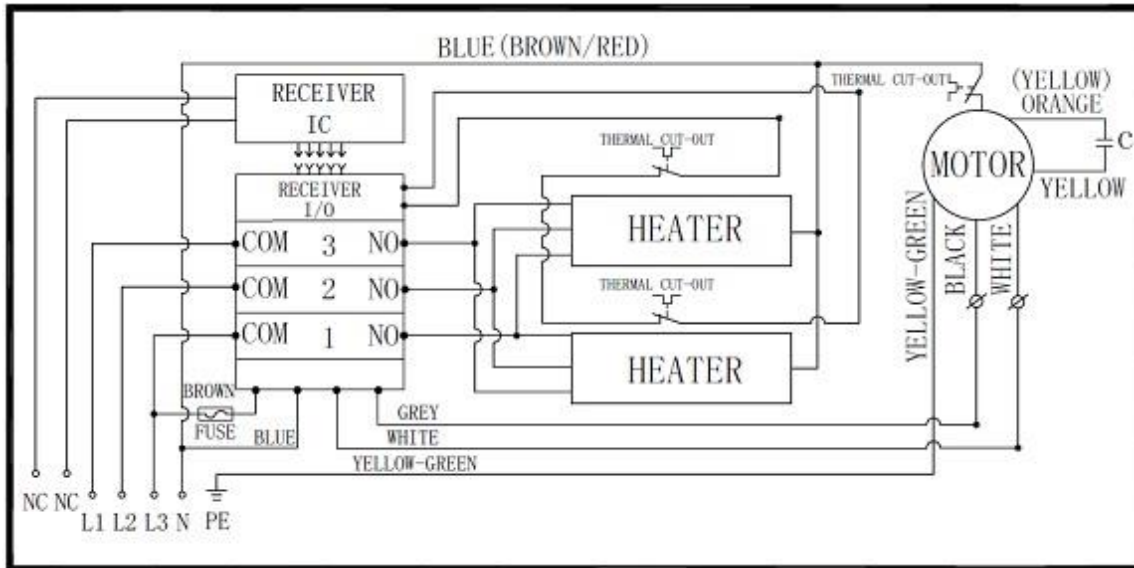
4.6 If installing it above ceiling, please purchase suitable pipes and install as per FIG 10.





4. WIRING DIAGRAM

Internal wiring diagram of the air curtain:



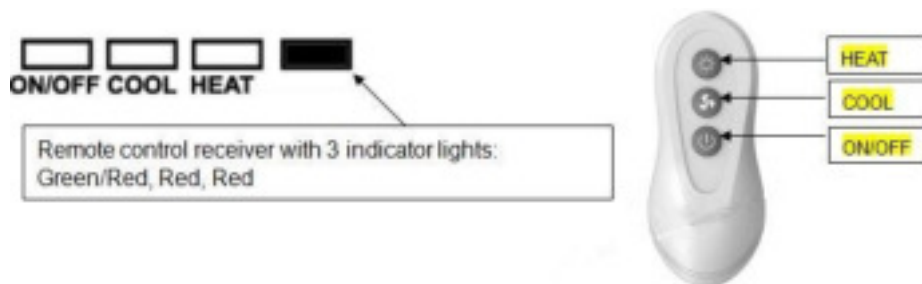
Note: The terminals marked with "NC" are used for the connection of normally closed-door switch.

WIRE SIZE FOR WIRING

Items	Power supply		3-phase, ~400V / 50Hz						
			Main wire conductor: L1, L2, L3, N						
Power of heater (KW)	3	4	5	6	8	10	12	14	16
Minimum wire size of main wire conductor (mm ²)	1.5		2.0		4.0		6.0		6.0
Minimum wire size of ground wire conductor (mm ²)	1.0		1.5		2.5		4.0		4.0

5. OPERATING INSTRUCTIONS

You can either use the buttons on unit or the remote control to operate the heated air curtains.



- 7.1 Press the **ON/OFF** button to turn on/off the unit. The unit is turned on at default H speed blowing ambient air flow and the green light will go on. The light/lights will go off after it is turned off.
- 7.2 Pressing the **COOL** button can switch ambient air flow between H speed and L speed. The green light is on when operating at ambient mode.
- 7.3 Pressing the **HEAT** button can select heating power cycling through L heating power (1 red light on), M heating power (2 red lights on), and H heating power (3 red lights on) and non-heating (1 green light on).

NOTE:

- a. When pressing the button each time, the unit will make a beep.
- b. If the unit has run at heating mode up to 30 seconds, the fan will keep running for 30 seconds to cool down the heater and the green light will blink when turning off the unit.