



Clean Air Services Pty. Ltd.
Air Curtain Supplier

www.aircurtainsupplier.com.au

Phone: +613 97948182

info@aircurtainsupplier.com.au

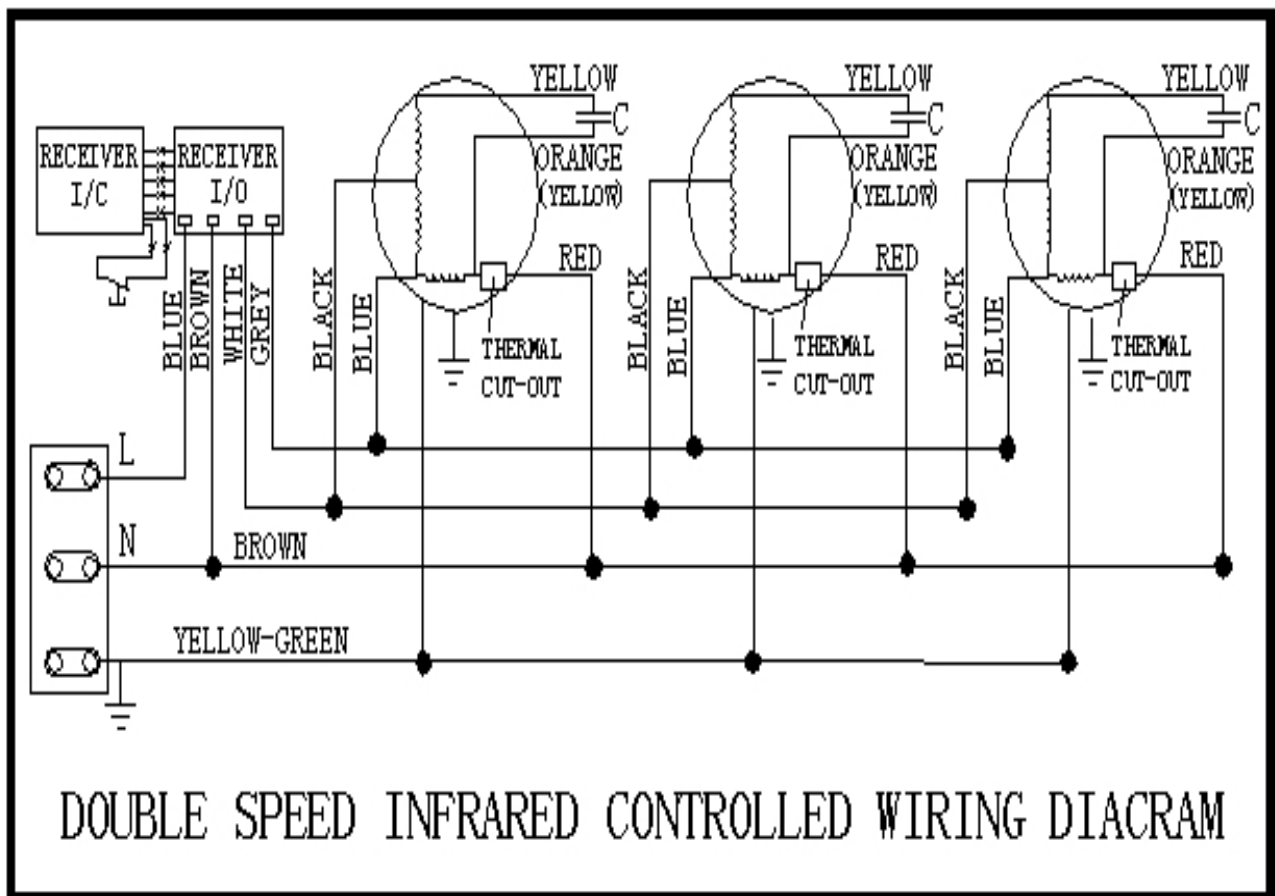
LEVANTE AIR CURTAIN
INSTALLATION MANUAL

FM-3509-L/Y
FM-3510-L/Y
FM-3512-L/Y
FM-3515-L/Y
FM-3518-L/Y
FM-3520-L/Y

4、 TECHNICAL PARAMETER

Model	DIMENSIONS	Input power (W)		Single Phase	Air speed (m/s)		Air Volume Hi-low		Air pressure noise @ 1 metre	Weight
		High	low		240v	Low	High	m3/hr		
	(O/all)			240v						
FM3509	900 X 230 X 215	230W	200W	240v	13	16	1100- 900	305	52-49	13
FM3512	1200 X 230 X 215	290W	260W	240v	13	16	1500-1200	416	53-50	16
FM3515	1500 X 230 X 215	380W	350W	240v	13	16	1900-1500	527	55-52	20
FM3518	1800 X 230 X 215	450W	420W	240v	13	16	2280-1800	633	57-55	24
FM3520	2000 x 230 x 215	470W	440W	240v	13	16	2520-2100	722	58-56	27

5、 ELECTRIC WORK



6、 OPERATION

6.1 Turn on the power switch

6.2 Select the best speed : High[H]、 Low[L]

6.3 According to the installation place to adjust the wind direction parts to obtain the best effect.

7、 CAUTIONS

a)、 Use the unit at the rated voltage and frequency indicated on the nameplate.

b)、 Disconnect power source before unit operation. c)、

Routing maintenance must be done every year.

d)、 Never use petrol, benzene, thinner or any other such chemical for clearing the unit. e)、

Don't allow water or anything enter the motor.

f)、 When power supply comes from socket, the plug must accord with IEC335-1. When the power cord is connected with charging line directly, all polarity switches that the contact gap is 3mm at least must be installed in the charging line.

WARRANTY, ALL CURTAINS:

12 months parts only.

Distributed by:

CLEAN AIR SERVICES PTY. LTD.

1/147 GREENS ROAD DANDENONG SOUTH VICTORIA 3175

TEL: 03.97948182 FAX: 03.97935707

EMAIL: info@cleanairservices.com.au