



Air Curtains Australia Pty Ltd

Factory 1 / 147 Greens Road,
Dandenong South, Victoria, Australia 3175.
Phone: 03 9794 8182 Fax: 03 9793 5707

RECESSED AIR CURTAIN LM4000-YQ SERIES



WARRANTY - 12 MONTHS ON PARTS ONLY

AIR CURTAINS AUSTRALIA PTY LTD

Websites: www.air-curtain.com.au

www.air-curtains-australia.myshopify.com

Email: info@air-curtain.com.au



Air Curtains Australia Pty Ltd

Factory 1 / 147 Greens Road,
Dandenong South, Victoria, Australia 3175.
Phone: 03 9794 8182 Fax: 03 9793 5707

The in-ceiling mount type air-curtain is designed for recessed installation into a false ceiling above door openings. The unit should be mounted on the inside of the building, flush with the ceiling, to achieve maximum efficiency.

FEATURES

1. Adopt forward-bending centrifugal type blade wheel, match high efficient volute design, large air volume, high air pressure and low decibels.
2. All-metal housing with aesthetically pleasing white finish, excellent water and fire proofing, easy to install and maintain.
3. Adjustable directional vane that allows you to regulate the direction of the air flow.

ATTENTION

1. Before mounting the air curtain, check the supporting structure to verify that it has sufficient load-carrying capacity to support the weight of the unit. The thread rod should be capable of support a minimum of 5 times the weight of the unit.
2. When ceiling is wide, several units can be mounted next to each other, the gap between each unit should be 20-40mm.

AIR CURTAINS	SERIES NUMBER	POWER VOLTS (v)	POWER WATTS (w)	AIR VELOCITY (m/s)	AIR VOLUME (m ³ /h)	AIR VOLUME (l/s)	NOISE (Db)	WEIGHT (kg)	DIMENSIONS L x W x H
RECESSED	LM4009-YQ	Single Phase 240v	250 - 280	20	1700	470	56	21.5	900 x 340 x 260
	LM4012-YQ		370 - 400	20	2300	635	57	23	1200 x 340 x 260
	LM4015-YQ		450 - 480	20	2900	805	60	29	1500 x 340 x 260
	LM4018-YQ		560 - 600	20	3500	970	63	37	1800 x 340 x 260
	LM4020-YQ		560 - 600	20	3500	970	65	39	2000 x 340 x 260

LM4000-YQ SERIES SPECIFICATIONS

AIR CURTAINS AUSTRALIA PTY LTD

Websites: www.air-curtain.com.au

www.air-curtains-australia.myshopify.com

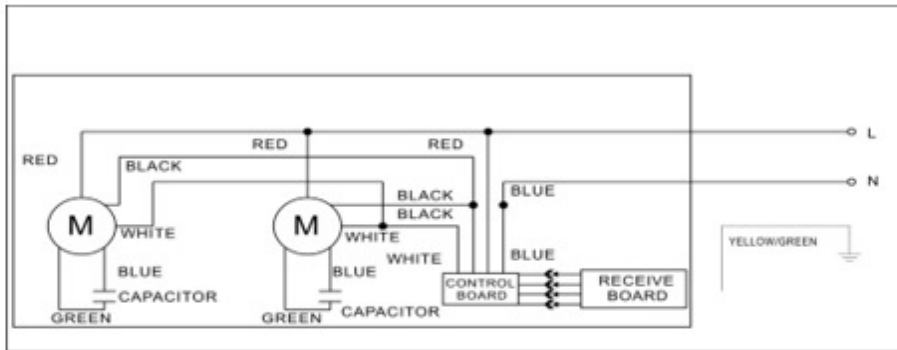
Email: info@air-curtain.com.au



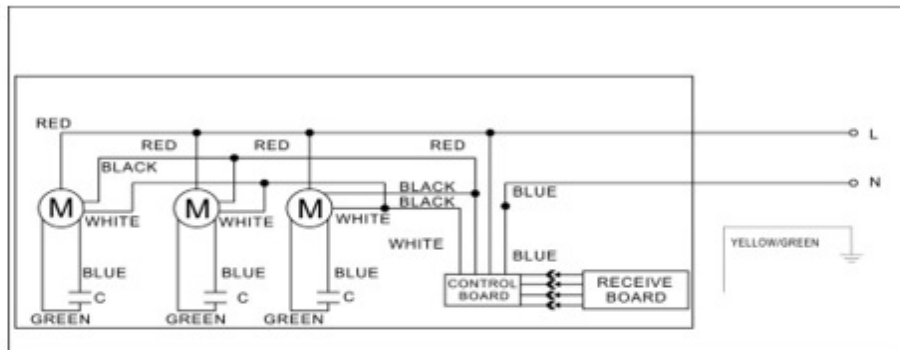
Air Curtains Australia Pty Ltd

Factory 1 / 147 Greens Road,
Dandenong South, Victoria, Australia 3175.
Phone: 03 9794 8182 Fax: 03 9793 5707

WIRING DIAGRAM



LM4009YQ, LM4010YQ & LM4012YQ.

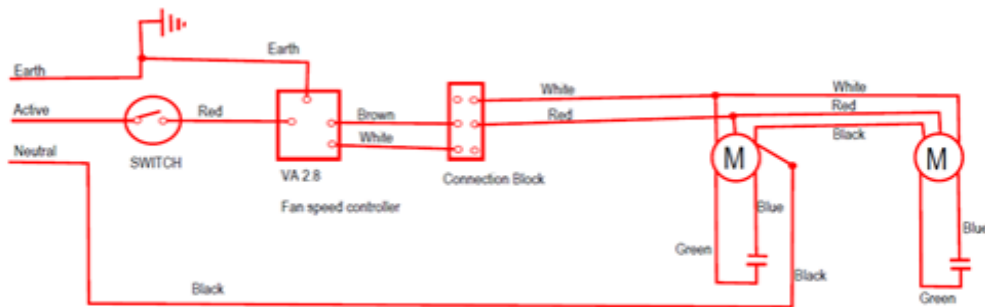


LM4015YQ, LM4018YQ & LM4020YQ.

SPEED CONTROLLER

Internally wire a speed controller to reduce fan speed, therefore lowering the decibel level.

The following wiring diagram shows how to install a potentiometer - which basically bypasses the remote IC switch.



AIR CURTAINS AUSTRALIA PTY LTD

Websites: www.air-curtain.com.au

www.air-curtains-australia.myshopify.com

Email: info@air-curtain.com.au



Air Curtains Australia Pty Ltd

Factory 1 / 147 Greens Road,
Dandenong South, Victoria, Australia 3175.
Phone: 03 9794 8182 Fax: 03 9793 5707

CONDITIONS OF USE

Temperature range between -10°C up to 40°C.

Relative humidity less than 90%.

Do not use:

- Near corrosive or explosive gas
- Do not install where there are sprinklers.
- Gas or dust may damage electrical insulation

Switch off the unit if you hear any abnormal or loud sounds whilst the unit is operating.

Please avoid holding the directional vane whilst lifting and installing the unit.

TROUBLESHOOTING

SYMPTOMS	CAUSE	REMEDY
NO AIR FLOW	No power	Check power source, and the method of control is switched ON
	Failed switch	Replace switch
	Motor shaft rotating inside fan	Tighten set screws/tighten fan on shaft
	Capacitor burn	Replace capacitor
	Motor inside coil burn	Replace motor
MINIMUM AIR	Air directional vanes mis-aligned	Adjust vanes to correct position
	Inadequate intake clearance	Move air curtain or remove obstruction & Provide adequate space for air curtain
	Blower motor operates below speed	Improper voltage
	Fan rubbing against housing	Free fan from housing
	Fan wheels clogged with dirt	Clean and vacuum fan wheels
	Fan in backwards	Check fans for blade curve toward discharge
EXCESSIVE NOISE	Un-stable installation	Tighten or re-install
	Air intake panel loosen or Air discharge panel loosen	Tighten
	Something inside the unit	Open the unit and clean
	Fan wheel screws loosen	Tighten or re-install

AIR CURTAINS AUSTRALIA PTY LTD

Websites: www.air-curtain.com.au

www.air-curtains-australia.myshopify.com

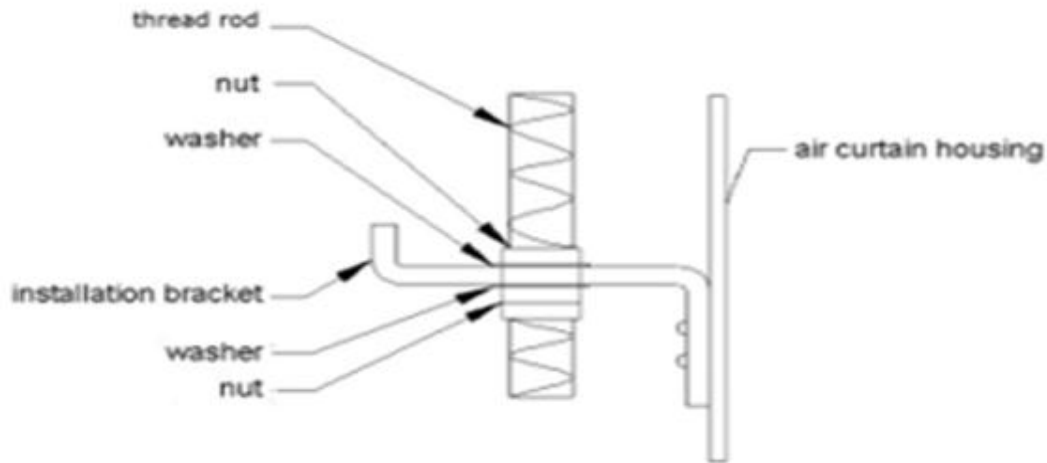
Email: info@air-curtain.com.au



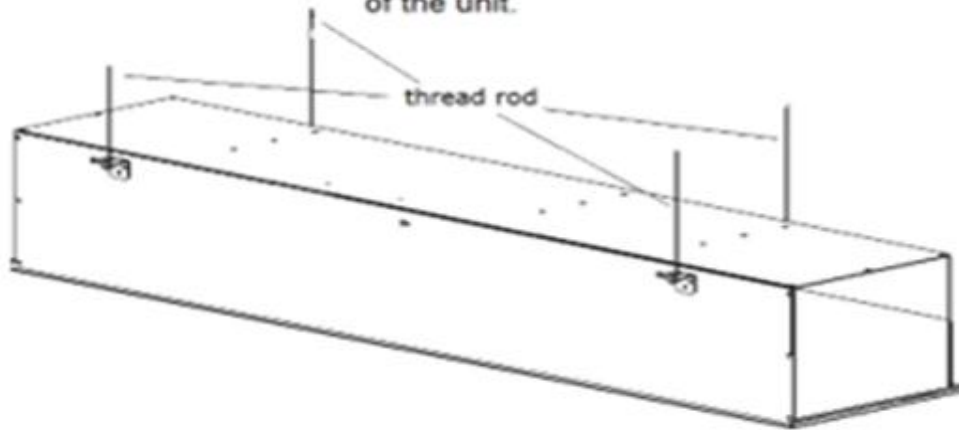
Air Curtains Australia Pty Ltd

Factory 1 / 147 Greens Road,
Dandenong South, Victoria, Australia 3175.
Phone: 03 9794 8182 Fax: 03 9793 5707

INSTALLATION



Caution: The thread rod should be capable of support a minimum of 5 times the weight of the unit.



(Fig.2)

1. Take out the air curtain from the carton, put the thread rod (not supplied with the unit) into the hole of mounting bracket (Fig.2)
2. Put in washer; fix the unit horizontally with M10 nut. Ensure that the locking nuts are fitted to stop the thread rod from rotating loose (Fig.1, Fig.2)

AIR CURTAINS AUSTRALIA PTY LTD

Websites: www.air-curtain.com.au

www.air-curtains-australia.myshopify.com

Email: info@air-curtain.com.au