



## Air Curtains Australia Pty Ltd

Factory 1 / 147 Greens Road,  
Dandenong South, Victoria, Australia 3175.  
Phone: 03 9794 8182 Fax: 03 9793 5707

# INDUSTRIAL CENTRIFUGAL AIR CURTAIN LM8000 SERIES



**WARRANTY – 12 MONTHS ON PARTS ONLY**

AIR CURTAINS AUSTRALIA PTY LTD

Websites: [www.air-curtain.com.au](http://www.air-curtain.com.au)

[www.air-curtains-australia.myshopify.com](http://www.air-curtains-australia.myshopify.com)

Email: [info@air-curtain.com.au](mailto:info@air-curtain.com.au)



# Air Curtains Australia Pty Ltd

Factory 1 / 147 Greens Road,  
Dandenong South, Victoria, Australia 3175.  
Phone: 03 9794 8182 Fax: 03 9793 5707

## INFORMATION

- The air is drawn in from the front of the unit and is blown out downwards.
- All-metal housing, advanced water and fire resistance, simple installation and easy cleaning.
- Adopted optimized electrical motor, reliable performance, can continuously operate for 5000 hours.
- Centrifugal motor IP55 rated
  - IP 55 Enclosure Characteristics:** Protection from dirt, dust, oil, and other non-corrosive material. Complete protection from contact with enclosed equipment. Protection from water, up to water projected by a nozzle against enclosure from any direction.
- Several units can be mounted next to each other. Under such conditions, allow a narrow space in between 20-40mm.
- During installation, the mounting plate should not have a gap between the walls.
- The distance between the unit and the ceiling must be at least 30mm.
- The unit is installed horizontally.
- Recommend installing the machine at the height of at least 3M above the ground.
- A triple pole switch should precede the appliance with at least 3mm breaking gap.

AIR CURTAINS	SERIES NUMBER	POWER VOLTS (v)	POWER WATTS (w)	AIR VELOCITY (m/s)	AIR VOLUME (m³/h)	AIR VOLUME (l/s)	NOISE (Db)	WEIGHT (kg)	DIMENSIONS L x W x H
INDUSTRIAL	LM8009	Three Phase 380v	600	28	3500	970	72	38	900 x 325 x 425
	LM8010		700	28	3500	970	72	42	1000 x 325 x 425
	LM8012		800	28	5000	1300	74	48	1200 x 325 x 425
	LM8015		1100	28	6800	1800	76	69	1500 x 325 x 425
	LM8018		2200	28	8000	2200	78	73	1800 x 325 x 425
	LM8020		2200	28	8000	2200	80	76	2000 x 325 x 425

## LM8000 SERIES SPECIFICATIONS

AIR CURTAINS AUSTRALIA PTY LTD

Websites: [www.air-curtain.com.au](http://www.air-curtain.com.au)

[www.air-curtains-australia.myshopify.com](http://www.air-curtains-australia.myshopify.com)

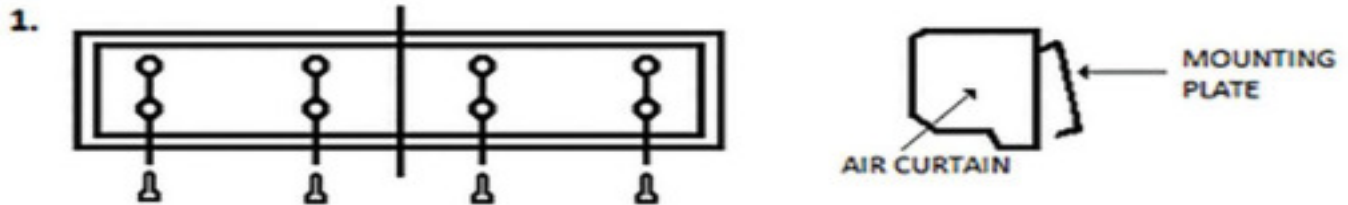
Email: [info@air-curtain.com.au](mailto:info@air-curtain.com.au)



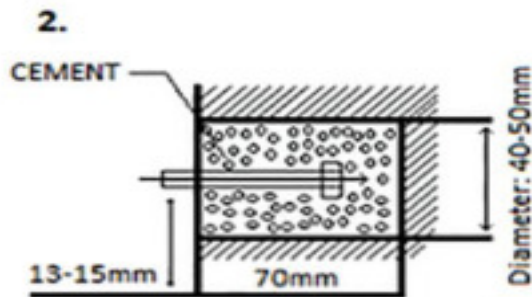
# Air Curtains Australia Pty Ltd

Factory 1 / 147 Greens Road,  
Dandenong South, Victoria, Australia 3175.  
Phone: 03 9794 8182 Fax: 03 9793 5707

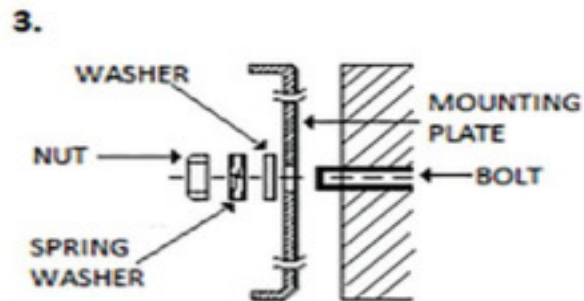
## INSTALLATION GUIDE



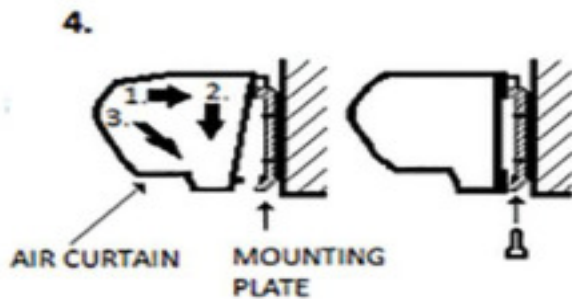
Unscrew the mounting plate and remove it from the air curtain.



Drill a hole as shown above.  
Then place the bolt in and  
secure it with cement.



Hold onto the mounting plate  
to ensure it is fixed tightly  
in place.



Place the air curtain onto the  
mounting plate, then tighten the  
screws to secure the unit.

AIR CURTAINS AUSTRALIA PTY LTD

Websites: [www.air-curtain.com.au](http://www.air-curtain.com.au)

[www.air-curtains-australia.myshopify.com](http://www.air-curtains-australia.myshopify.com)

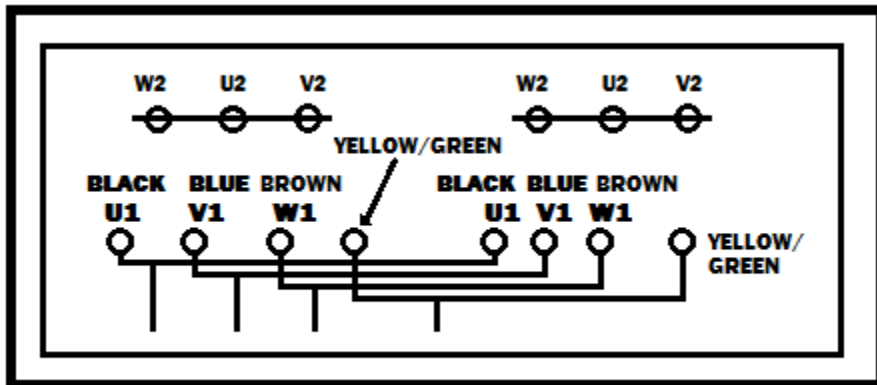
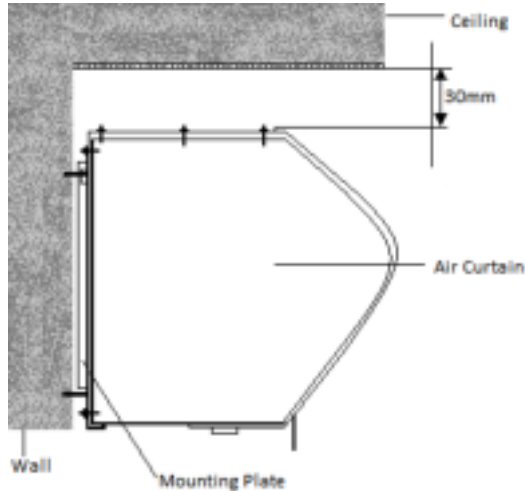
Email: [info@air-curtain.com.au](mailto:info@air-curtain.com.au)



# Air Curtains Australia Pty Ltd

Factory 1 / 147 Greens Road,  
Dandenong South, Victoria, Australia 3175.  
Phone: 03 9794 8182 Fax: 03 9793 5707

## INSTALLATION GUIDE



**WIRING DIAGRAM**

Whilst installing the unit, please pay special attention to the following points to obtain the ultimate efficiency.

- Connect the 3-phase electric circuit with the air curtain units 3-phase power line. Test the air curtain, check its air wheel rotation direction, it should rotate counterclockwise.
- Install on a robust place so the unit is safely secured and to avoid any vibrations.
- If the air curtain is installed too high, the units efficiency will be reduced.

AIR CURTAINS AUSTRALIA PTY LTD

Websites: [www.air-curtain.com.au](http://www.air-curtain.com.au)

[www.air-curtains-australia.myshopify.com](http://www.air-curtains-australia.myshopify.com)

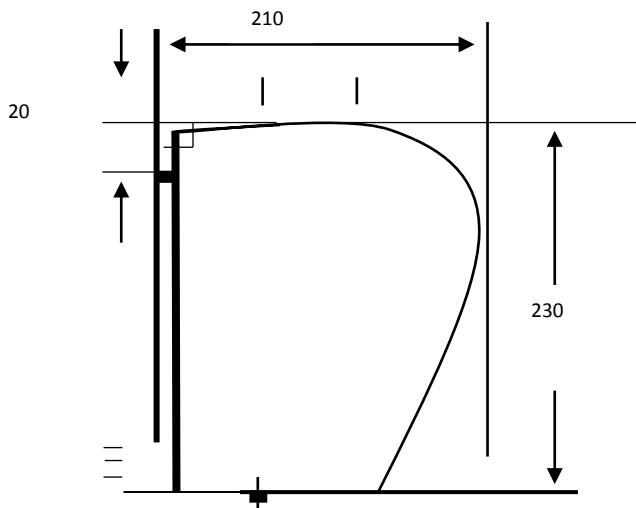
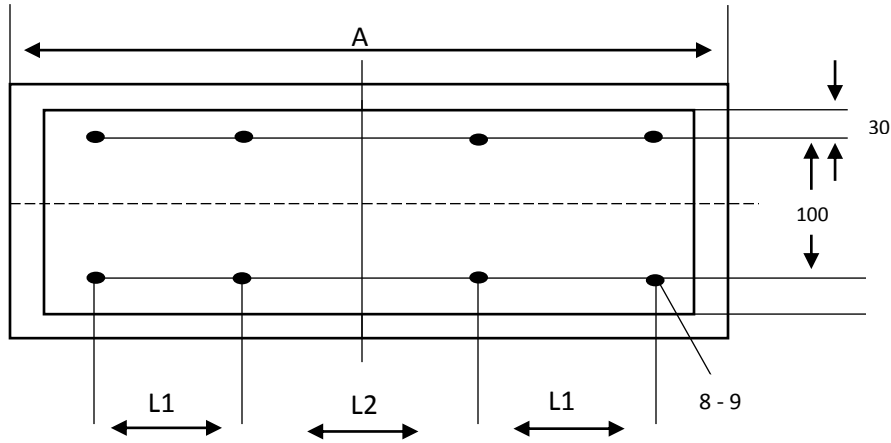
Email: [info@air-curtain.com.au](mailto:info@air-curtain.com.au)



# Air Curtains Australia Pty Ltd

Factory 1 / 147 Greens Road,  
Dandenong South, Victoria, Australia 3175.  
Phone: 03 9794 8182 Fax: 03 9793 5707

## IDENTIFICATION & INSTALLATION DIMENSIONS



Dimensions: mm

BODY LENGTH (mm)	A	L1	L2
900	910	300	250
1200	1210	300	250
1500	1510	300	250
1800	1810	300	250
2000	2010	300	250

AIR CURTAINS AUSTRALIA PTY LTD

Websites: [www.air-curtain.com.au](http://www.air-curtain.com.au)

[www.air-curtains-australia.myshopify.com](http://www.air-curtains-australia.myshopify.com)

Email: [info@air-curtain.com.au](mailto:info@air-curtain.com.au)



## Air Curtains Australia Pty Ltd

Factory 1 / 147 Greens Road,  
Dandenong South, Victoria, Australia 3175.  
Phone: 03 9794 8182 Fax: 03 9793 5707

### MAINTENANCE & REPAIR

- Unplug the unit from any power source prior checking or maintenance.
- Keep electric motor or other parts away from moisture to avoid short circuit.
- Regular checking and maintenance is recommended, clean all the dust off simply with damp cloth and mild detergent.
- Detach the unit only by professionals.
- Wipe over units every 3 months to remove dirt & dust.
- Blow out units every 12 months for dirt and dust Before using this unit, please read the instruction manual completely.

### CONDITIONS OF USE

Please DO NOT install the unit under following conditions:

- Do not operate ambient temperature over 50°C or below -10°C.
- A relative humidity over 95% at room temperature and steamy area.

AIR CURTAINS AUSTRALIA PTY LTD

Websites: [www.air-curtain.com.au](http://www.air-curtain.com.au)

[www.air-curtains-australia.myshopify.com](http://www.air-curtains-australia.myshopify.com)

Email: [info@air-curtain.com.au](mailto:info@air-curtain.com.au)