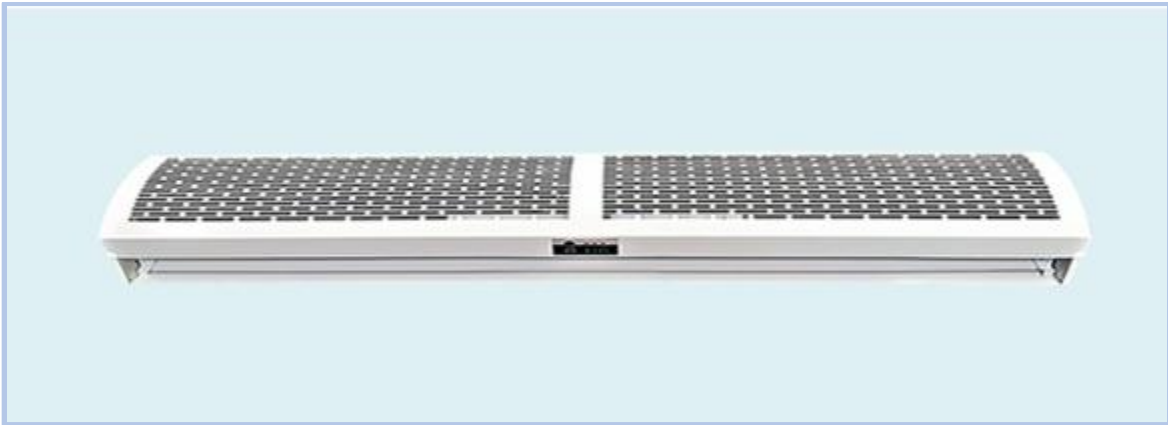




Air Curtains Australia Pty Ltd

Factory 1 / 147 Greens Road,
Dandenong South, Victoria, Australia 3175.
Phone: 03 9794 8182 Fax: 03 9793 5707

HIGH AIR FLOW AIR CURTAIN FM3500Y SERIES



WARRANTY – 12 MONTHS ON PARTS ONLY

AIR CURTAINS AUSTRALIA PTY LTD

Websites: www.air-curtain.com.au

www.air-curtains-australia.myshopify.com

Email: info@air-curtain.com.au



Air Curtains Australia Pty Ltd

Factory 1 / 147 Greens Road,
Dandenong South, Victoria, Australia 3175.
Phone: 03 9794 8182 Fax: 03 9793 5707

INFORMATION:

- Dual operating speed remote control.
- Air velocity of 13 m/s on high and 11 m/s on low.
- 10 amp power point required, 1m lead and plug included.
- Mounting plate.
- Minimum installation height of 2.3m up to 3.2m from ground level.
- Available in 5 sizes 900mm, 1200mm, 1500mm, 1800mm and 2000mm.

OPERATION

- Turn on the power switch
- Select the most suitable speed, High or Low.
- Adjust the louver to obtain the most efficient direction of air flow.

AIR CURTAINS	SERIES NUMBER	POWER VOLTS (v)	AIR VELOCITY (m/s)	AIR VOLUME (m ³ /h)	AIR VOLUME (l/s)	NOISE (Db)	WEIGHT (kg)	DIMENSIONS L x W x H
HIGH AIR FLOW	FM3509-Y	Single Phase 240v	13	2250	430	57	13	900 x 190 x 215
	FM3512-Y		13	3000	593	59	16	1200 x 190 x 215
	FM3515-Y		13	3800	1000	62	19	1500 x 190 x 215
	FM3518-Y		13	4500	1200	62	24	1800 x 190 x 215
	FM3520-Y		13	4700	1350	64	27	2000 x 190 x 215

AIR CURTAINS AUSTRALIA PTY LTD

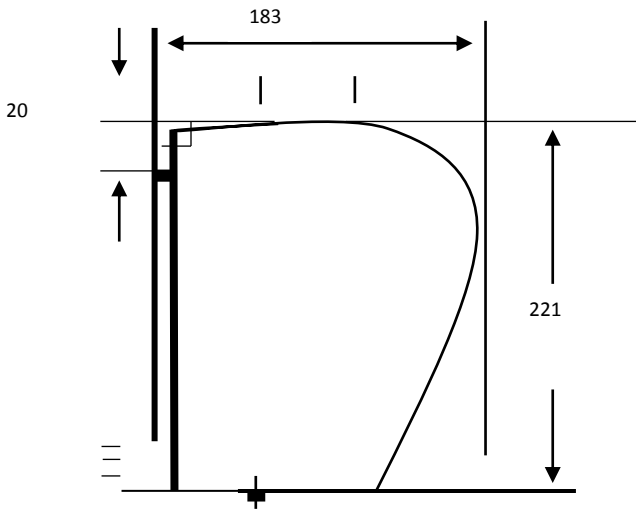
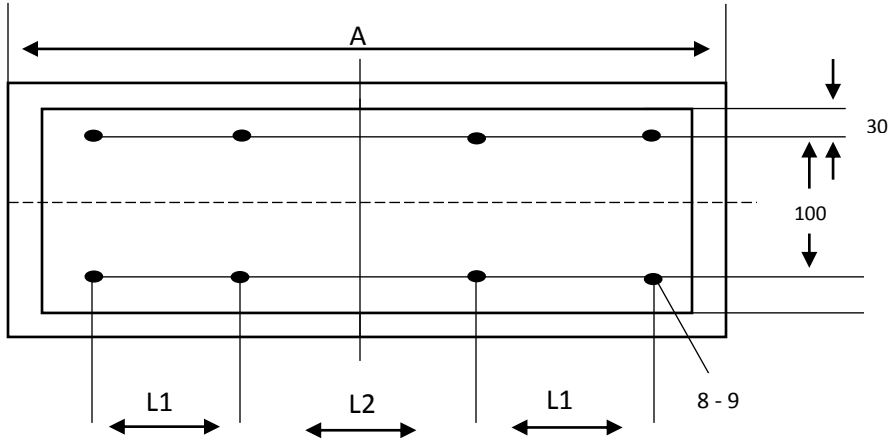
Websites: www.air-curtain.com.au
www.air-curtains-australia.myshopify.com
Email: info@air-curtain.com.au



Air Curtains Australia Pty Ltd

Factory 1 / 147 Greens Road,
 Dandenong South, Victoria, Australia 3175.
 Phone: 03 9794 8182 Fax: 03 9793 5707

IDENTIFICATION & INSTALLATION DIMENSIONS



Dimensions: mm

BODY LENGTH (mm)	A	L1	L2
900	900	260	220
1200	1200	260	220
1500	1500	260	220
1800	1800	260	220
2000	2000	260	220

AIR CURTAINS AUSTRALIA PTY LTD

Websites: www.air-curtain.com.au

www.air-curtains-australia.myshopify.com

Email: info@air-curtain.com.au

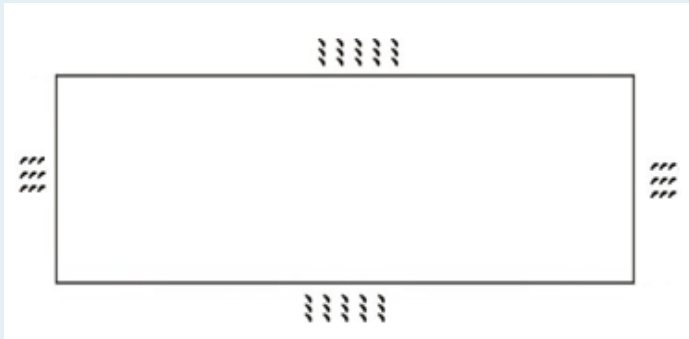


Air Curtains Australia Pty Ltd

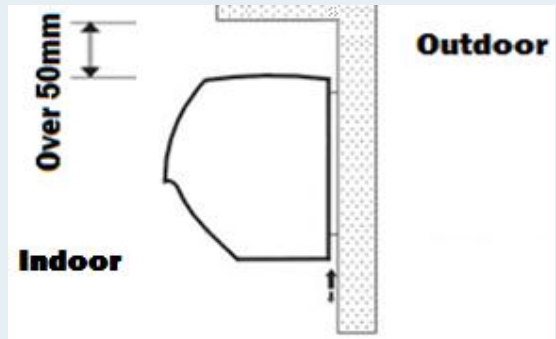
Factory 1 / 147 Greens Road,
Dandenong South, Victoria, Australia 3175.
Phone: 03 9794 8182 Fax: 03 9793 5707

INSTALLATION GUIDE

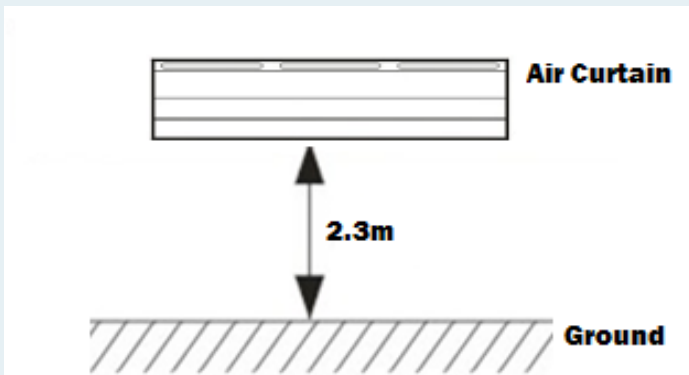
Make certain the unit is installed in a robust place to avoid vibrations.



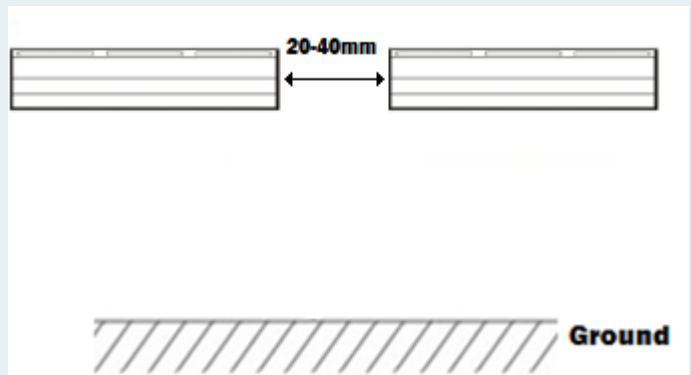
The air curtain is to be installed inside the space, safely protected from the elements.



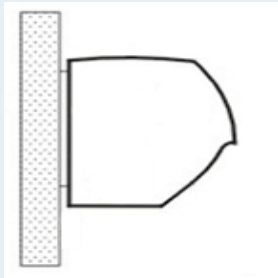
Do not install the unit lower than 2.3 metres to the ground.



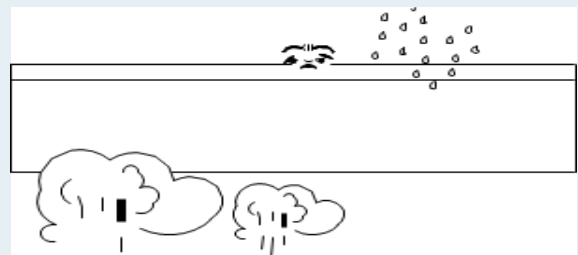
Provide 20-40mm gaps between the units when more than one is required to cover the opening.



Do not allow gaps between the unit and the wall. When hanging it from the ceiling, using the enclosed ceiling brackets.



Do not install in a place where the unit can get wet, exposed to steam, explosive or corrosive gases.



AIR CURTAINS AUSTRALIA PTY LTD

Websites: www.air-curtain.com.au

www.air-curtains-australia.myshopify.com

Email: info@air-curtain.com.au

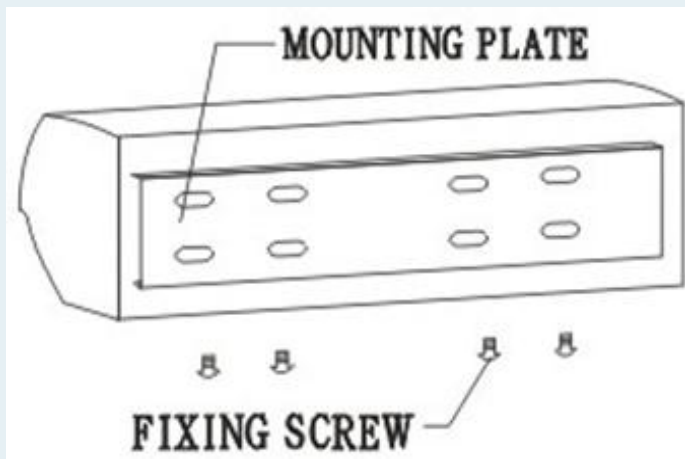


Air Curtains Australia Pty Ltd

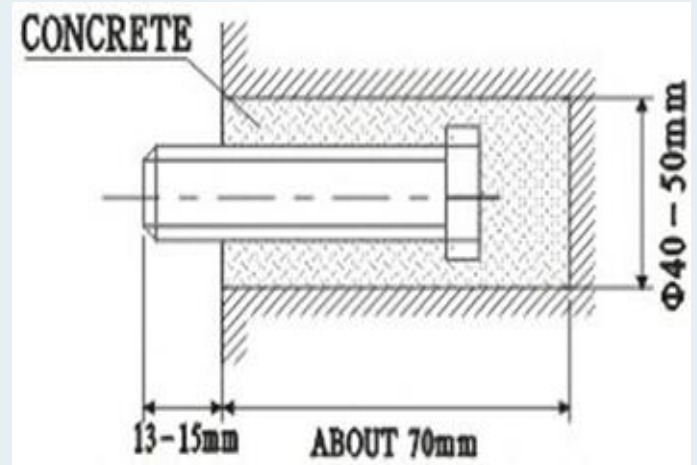
Factory 1 / 147 Greens Road,
Dandenong South, Victoria, Australia 3175.
Phone: 03 9794 8182 Fax: 03 9793 5707

INSTALLING ONTO A CONCRETE WALL

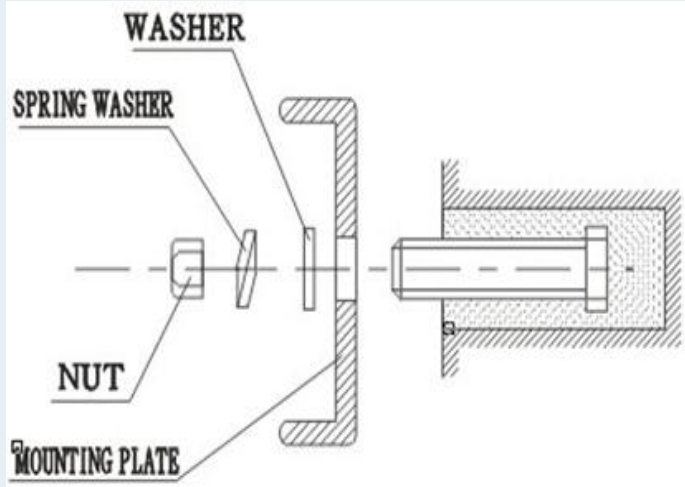
a. Remove the mounting plate
Unclamp the fixed screws on the back of main body to remove the mounting plate.



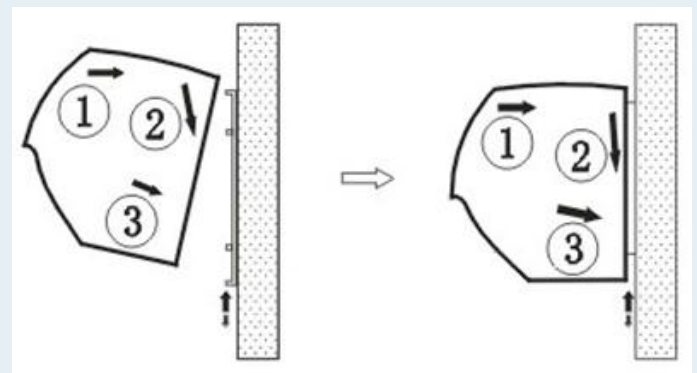
b. Fix the bolts in the proper position.
Decide the position with the mounting plate and pour cement into the bolt holes.



c. When the cement has set, fit the mounting plate.
(Use the washer and nut according to the following)



d. Installing the main body.
Set the main body onto the upper end of the mounting plate and clamp it as shown.
Secure the air curtain in place with screws on the underneath of the air curtain.



AIR CURTAINS AUSTRALIA PTY LTD

Websites: www.air-curtain.com.au

www.air-curtains-australia.myshopify.com

Email: info@air-curtain.com.au

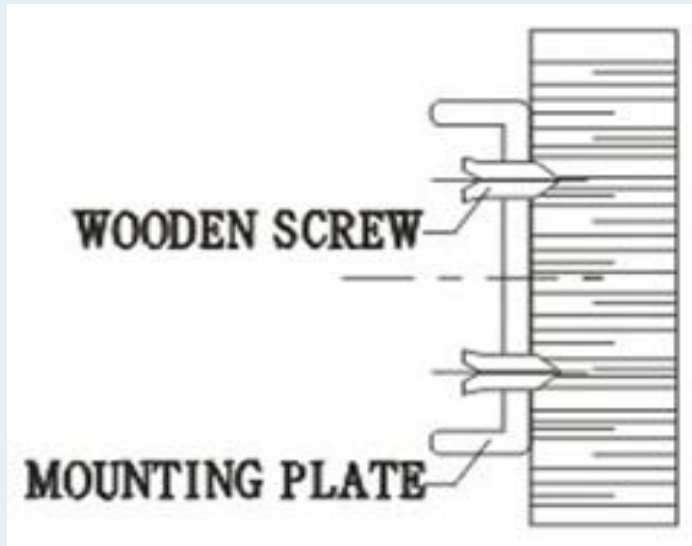


Air Curtains Australia Pty Ltd

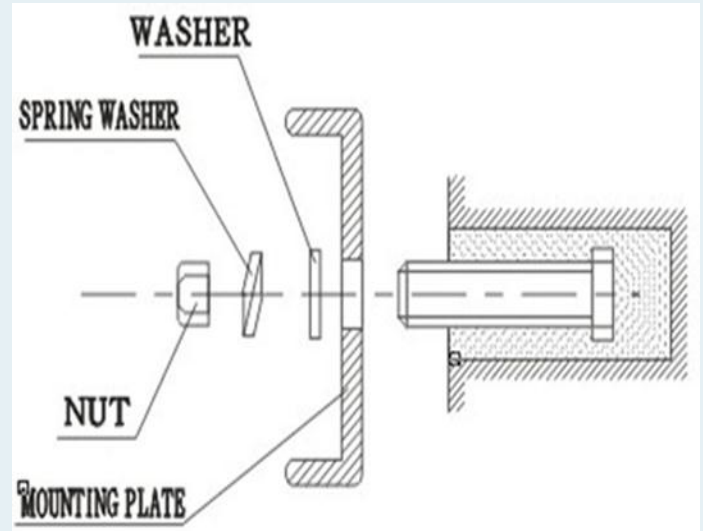
Factory 1 / 147 Greens Road,
Dandenong South, Victoria, Australia 3175.
Phone: 03 9794 8182 Fax: 03 9793 5707

INSTALLING ONTO A PLASTER WALL

a. Fix the mounting plate in the proper position with tapping screws.

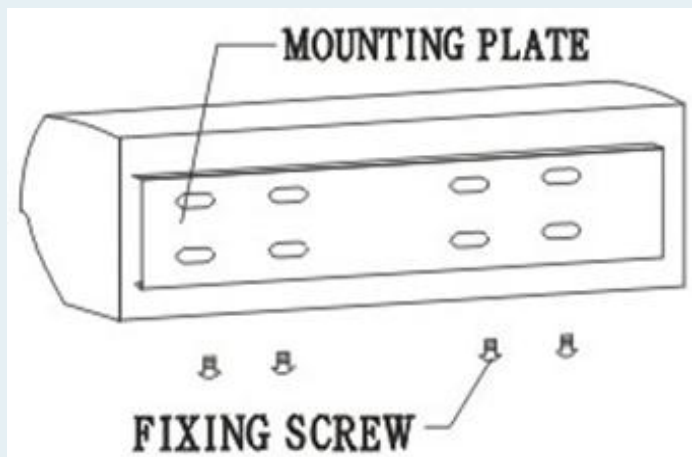


b. Fit the mounting plate.
(Use the washer and nut according to the following)

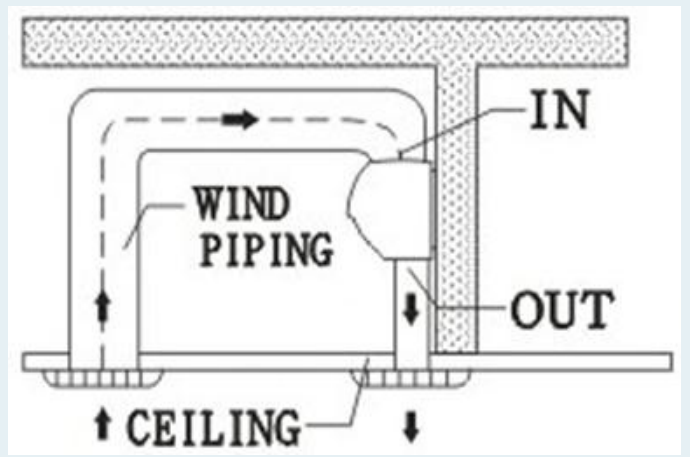


RECESSED - ABOVE CEILING

a. Remove the mounting plate
Unclamp the fixed screws on the back of main body to remove the mounting plate.



b. Pipe as below



AIR CURTAINS AUSTRALIA PTY LTD

Websites: www.air-curtain.com.au

www.air-curtains-australia.myshopify.com

Email: info@air-curtain.com.au

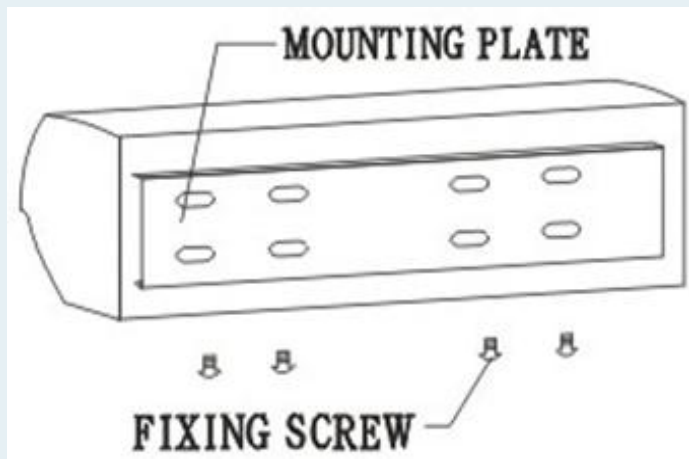


Air Curtains Australia Pty Ltd

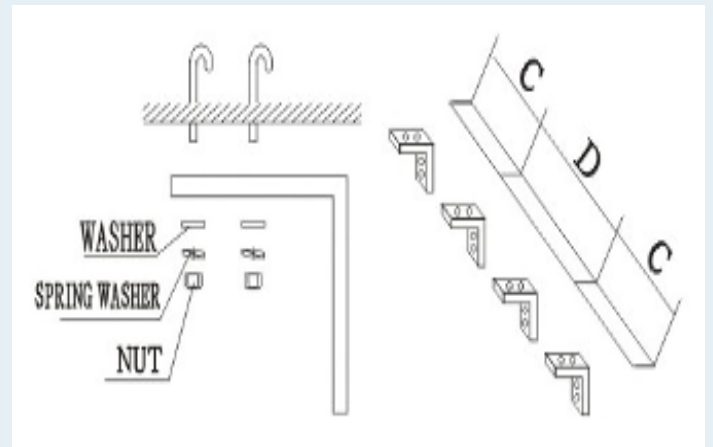
Factory 1 / 147 Greens Road,
Dandenong South, Victoria, Australia 3175.
Phone: 03 9794 8182 Fax: 03 9793 5707

HANGING FROM THE CEILING

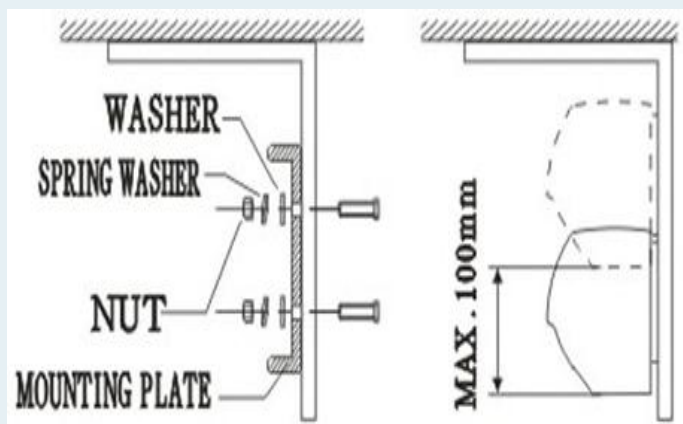
a. Removed the mounting plate.
Unclamp the fixed screws on the back of main body to remove the mounting plate.



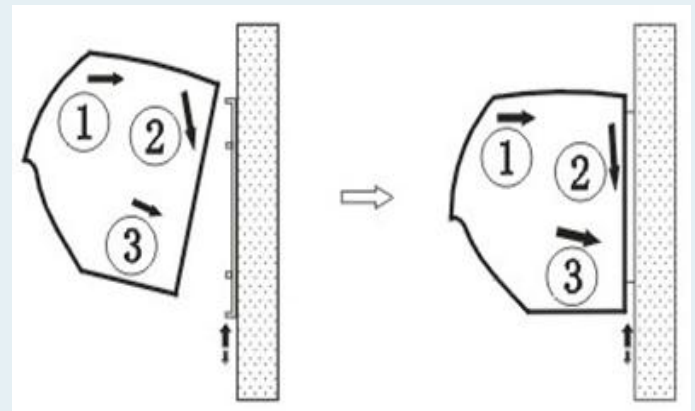
b. Fixing ceiling brackets (not supplied) as shown below.



c. Set the mounting plate on the ceiling brackets (not supplied) and ensure it's securely fixed. (Use bolts as shown below.) The position of the mounting plate can be adjusted in the limit of 100mm when using the ceiling brackets.



d. Installing the main body.
Set the main body onto the upper end of the mounting plate and clamp it as shown. Secure the air curtain in place with screws on the underneath of the air curtain.



AIR CURTAINS AUSTRALIA PTY LTD

Websites: www.air-curtain.com.au

www.air-curtains-australia.myshopify.com

Email: info@air-curtain.com.au



Air Curtains Australia Pty Ltd

Factory 1 / 147 Greens Road,
Dandenong South, Victoria, Australia 3175.
Phone: 03 9794 8182 Fax: 03 9793 5707

CAUTION

- Use the unit at the rated voltage and frequency indicated on the nameplate.
- Disconnect power source before unit operation.
- Regular checking and maintenance is recommended, clean all the dust off with a damp cloth and mild detergent, if you have a blower, blow out the unit with air.
- Never use petrol, benzene, thinner or any other such chemical for clearing the unit.
- Don't allow water or any foreign material to enter the motor.

AIR CURTAINS AUSTRALIA PTY LTD

Websites: www.air-curtain.com.au

www.air-curtains-australia.myshopify.com

Email: info@air-curtain.com.au