

Clean Air Services

Tel: 03.97948182 Fax: 03.97935707

Established 1992

viledon™

AIRGUARD



TECO



ACN 055 514 817 ABN 17 055 514 817

Website: www.cleanairservices.com.au Email: info@cleanairservices.com.au

Factory 1 / 147 Greens Road Dandenong South Victoria 3175

Postal Address: P.O. Box 1107 Huntingdale Victoria 3166

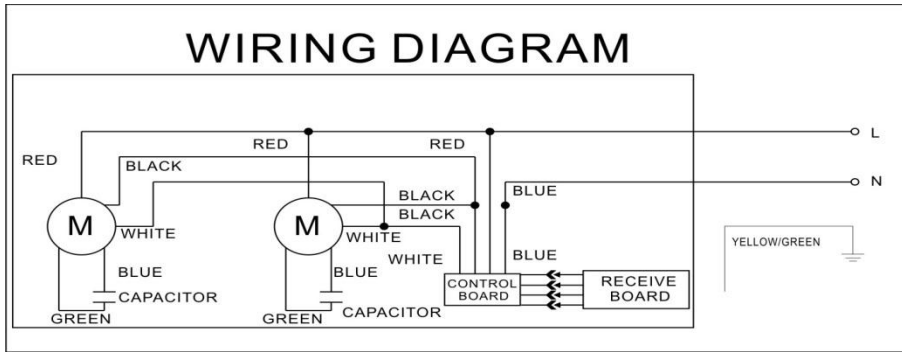
Recessed in-ceiling ambient air curtain



Model No.	Spec	Amps (A)	Air Speed	Air Flow (l/s)	Air Flow (m3/h)
LM4010YQ		1.2	16 m/s	470	1700
LM4012YQ	Double speed	1.3	16 m/s	635	2300
LM4015YQ	remote control	1.8	16 m/s	805	2900
LM4018YQ		2.2	16 m/s	970	3500
LM4020YQ		2.2	16 m/s	970	3500
Model No.	Power (W)	Volts.	Noise	Dimension	Weight
	High-Low	(V)	(db)	L x W x H	Kg.
LM4010YQ	280 250	220-240	56	1000x340x260	21.5
LM4012YQ	400 370	220-240	57	1200x340x260	23
LM4015YQ	480 450	220-240	60	1500x340x260	29
LM4018YQ	600 560	220-240	63	1800x340x260	37
LM4020YQ	600 560	220-240	65	2000x340x260	39
Model No.	Spec	Amps (A)	Air Speed	Air Flow (l/s)	Air Flow (m3/h)
LM4510YQ	Double speed	1.95	20m/s	610	2200
LM4512YQ	remote control	2.3	20m/s	830	3000
LM4515YQ		3	20m/s	1020	3700
LM4518YQ		3.6	20m/s	1220	4400
LM4520YQ		3.6	20m/s	1220	4400
Model No.	Power (W)	Volts.	Noise	Dimension	Weight
	High-Low	(V)	(db)	L x W x H	Kg.
LM4510YQ	430 395	220-240	57	1000x340x260	21.5
LM4512YQ	510 480	220-240	58	1200x340x260	23
LM4515YQ	660 615	220-240	61	1500x340x260	29
LM4518YQ	780 730	220-240	64	1800x340x260	37
LM4520YQ	780 730	220-240	66	2000x340x260	39

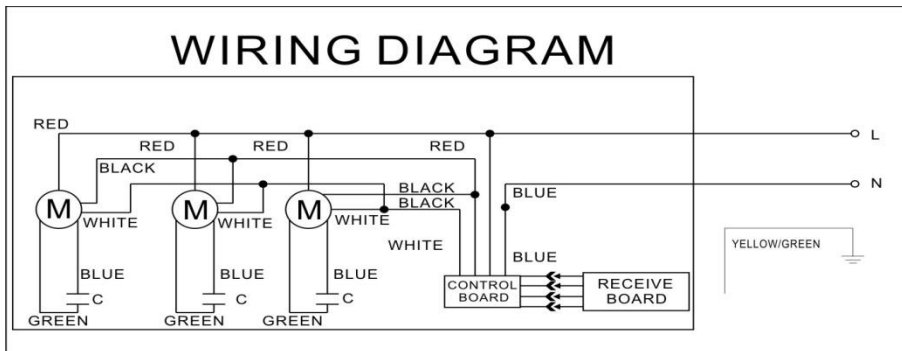
LM4009YQ,LM4509YQ,
 LM4010YQ,LM4510YQ,
 LM4012YQ,LM4512YQ

ELECTRIC WORK:



LM4015YQ,LM4515YQ,
 LM4018YQ,LM4518YQ,
 LM4020YQ,LM4520YQ

ELECTRIC WORK

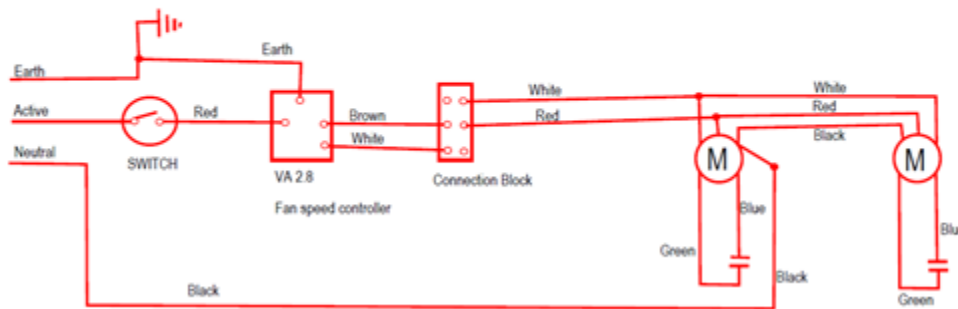


This is some further information to set up a speed controller.

Set up a speed controller wired internally in order to reduce fan speed and hence the generated noise.

The following wiring diagram shows how to install a potentiometer - which basically bypasses the remote IC switch.

AIR CURTAIN SPEED CONTROLLER



TROUBLESHOOTING:

SYMPTOMS	CAUSE	REMEDY
NO AIR	No power Failed switch Motor shaft rotating inside fan Capacitor burn Motor inside coil burn	Check power source, check method of control in ON position Replace switch Tighten set screws/tighten fan on shaft Replace capacitor Replace motor
MINIMUM AIR	Air directional vanes mis-adjusted Inadequate intake clearance Blower motor operates below speed Fan rubbing against housing Fan wheels clogged with dirt Fan in backwards	Adjust vanes to proper position, see instructions Move air curtain or remove obstruction & Provide adequate space for air curtain Improper voltage Free fan from housing Clean and vacuum fan wheels Check fans for blade curve toward discharge
EXCESSIVE NOISE	Un-stable installation Air intake panel loosen Air discharge panel loosen Something inside the unit Fan wheel screws loosen	Tighten or re-install Tighten Tighten Open the unit and clean Tighten or re-install

PRODUCT OUTLINE:

The in-ceiling mount type air-curtain is designed for recessed installation into a false ceiling above door openings to maintain a barrier against the loss of conditioned air and the ingress of unwanted air, insects, unpleasant smells and dust from the outside. To achieve optimum protection, the unit should be mounted on the inside of the building, flush with the ceiling, so that the air stream can pass as close to the top of the door opening as possible.

CONDITIONS OF USE:

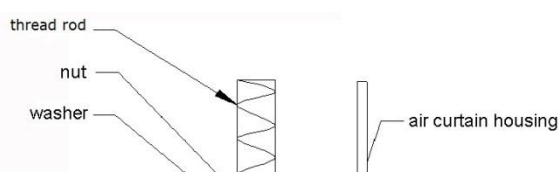
1. Use temperature -10°C – -40°C , relative humidity < 90%. Please don't use it in below any conditions:
 - (1) Nearly corrosive gases
 - (2) Materials or gases may cause explosion
 - (3) Locate in where may be sprinkle with water
 - (4) Gas or dust may damage electrical insulation
2. Any abnormal sound during use, please switch off the unit and contact us
3. If need air curtain use in anti-explosion etc special places, please contact us to custom-made.
4. When taking out the unit from carton or installing, please do not grasping the direction vane to avoid its deformation.

FEATURES:

1. Adopt forward-bending centrifugal type blade wheel, match high efficient volute design, large air volume, high air pressure, and lower noise
2. All-metal housing with aesthetically pleasing white finish, excellent water and fire proof, easy installation and maintenance
3. Adjustable directional vane that allows you to regulate the direction of the air flow.

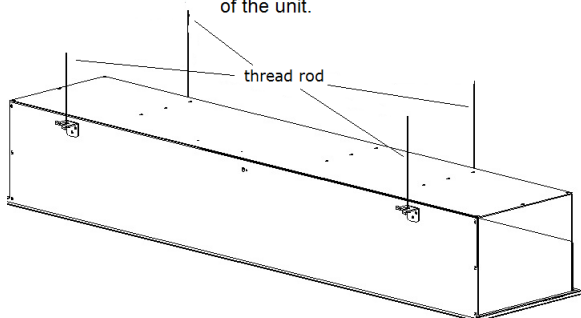
ATTENTION:

1. Before mounting the air curtain, check the supporting structure to verify that it has sufficient load-carrying capacity to support the weight of the unit. The thread rod should be capable of support a minimum of 5 times the weight of the unit.
2. When ceiling is wide, several units can be mounted nearly, the gap between each unit should be 20-40mm.

INSTALLATION:

(Fig.1)

Caution: The thread rod should be capable of support a minimum of 5 times the weight of the unit.



(Fig.2)

1. Take out the air curtain from the carton, put the thread rod (not supplied with the unit) into the hole of mounting bracket (Fig.2)
2. Put in washer; fix the unit horizontally with M10 nut. Ensure that the locking nuts are fitted to stop the thread rod from rotating loose (Fig.1, Fig.2)